

# Double door upright

ice storage bins



Industry exclusive SmartGATE ice shield



## Features

### Designed for safer and more sanitary ice access

- industry exclusive SmartGATE® ice shield controls the flow of ice to reduce spills and limit contact with ice
- locks in three positions and returns easily to full down position – even when bin is full
- better access to safely loosen congealed ice
- no bending into bin means more sanitary ice removal with a scoop or shovel

### Fresher ice

- first ice in is first ice out

### Ice compatibility

- compatible with all ice types, including customer preferred Chewblet® ice
- dual access doors allow for dispensing two different ice types with use of center partition accessory

### Durable, user friendly construction

- full stainless bin exterior
- corrosion-resistant poly bin liner
- heavy duty “stay-open” PowerHinge™ door hinge – easy one hand open and close without door catches
- molded-in gasket never needs to be replaced

### Easy installation

- comes assembled, simply screw in legs
- ice access door assembly may be removed easily for installation through doorways

### Includes:

- custom-cut stainless tops for most popular ice machines
- 82 oz plastic ice scoop

## Accessories

SmartCART™ 75 ice cart (item# 00112771)

Center bin partition

Ice paddle and hanging bracket (item# ABICEPADDL46 for SG1850; item# ABICEPADDL for all others)

Ice rake (item# AB36RAKE for SG1850; item# ABICERAKE for all others)

Plastic ice shovel (item# ABICESHOVEL)

Additional carts and accessories (refer to form# 3435)

Job

Item

Follett Europe Polska Sp. z o.o.  
Mokry Dwór 26C 83-021 Wiślina, Poland  
+48 (58) 785-6140 | Fax: +48 (58) 785-6159  
folletteurope.com

801 Church Lane | Easton, PA 18040, USA  
1.610.252.7301 | Fax: +1.610.250.0696 | follettice.com

**FOLLETT**<sup>®</sup>  
Innovative solutions, inspired by ice

## Specification

|   |                                      |
|---|--------------------------------------|
| Maximum bin capacity <sup>1</sup>   | see model table below                |
| <b>W1</b> Width   | see model table below                |
| <b>D1</b> Depth <sup>2</sup>  | see model table below                |
| <b>D2</b> Depth with lower door assembly (easily removed for installation access) | add 8.00" (20.32 cm)                 |
| <b>D3</b> Depth with door fully extended  | add 18.50" (47.0 cm)                 |
| <b>H1</b> Height <sup>3</sup> (adjustable)  | see model table below                |
| <b>H2</b> Bin sill height   | 19.00" (48.3 cm)                     |
| <b>H3</b> Height lower section  | see model table below                |
| Required door access  | see model table below                |
| <b>L1</b> Drain <sup>5</sup>  | 1.00" FPT, center of bin bottom      |
| Ice compatibility   | all ice types including Chewblet ice |
| Shipping weight   | see model table below                |

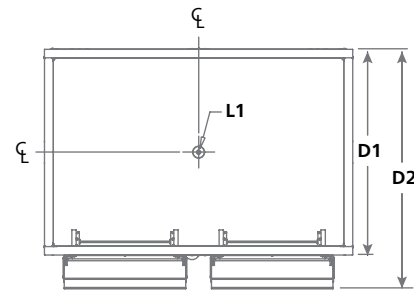
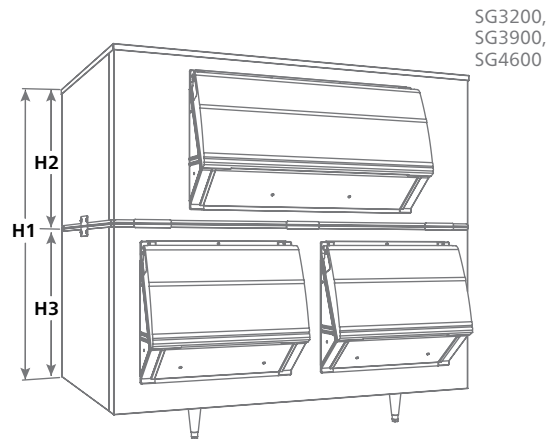
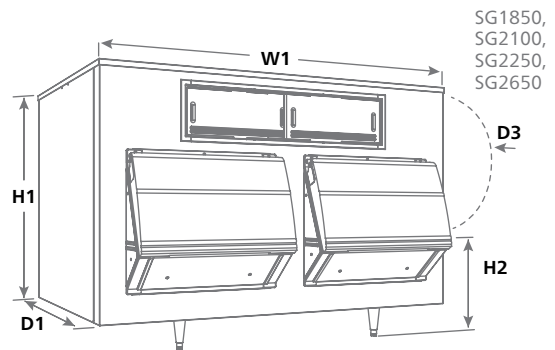
NOTE: For indoor use only

**SHORT FORM SPECIFICATION:** Ice storage bin to be Follett model \_\_\_\_\_ with industry-exclusive SmartGATE ice shield. Bin to hold approximately \_\_\_\_\_ lb (kg) of ice. Construction to be welded steel shell and frame. Exterior finish to be stainless steel front, sides, back and bottom. Bin liner to have non-corroding polyethylene walls and stainless steel bottom. Bin insulation to be non-CFC polyurethane foam, bonded to shell and liner for added structural strength. Bin top to be stainless steel custom-cut for specific ice machine(s) to be used. Lower door assembly to include non-corroding polyethylene ice door access assembly, polyethylene lift door with PowerHinge door hinge to eliminate gasket and latches, and inner SmartGATE ice shield to positively control ice flow into ice door access assembly area and reduce spillage. Entire lower door assembly to be easily removable for installation through narrow doors. Where used, upper inspection windows to be of molded double-wall plastic to increase durability and minimize meltage and condensation. Bin to have 6.00" (15.24 cm) legs, adjustable to 7.25" (18.42 cm). Bin drain to be 1.00" FPT rigid PVC. NSF-listed.

### Warranty:

Follett Corporation warrants to the original purchaser that the cabinet exterior, including the top and trim, and the interior liner will be free of corrosion for 5 years from the date of installation. Date of installation shall not exceed 90 days from date of shipment. Parts and labor for corrosion repair within this 5 year period are covered under this warranty. All other integral components are covered against defects in material and workmanship under normal use and service for a period of 5 years from the date of installation. Date of installation shall not exceed 90 days from date of shipment. Parts and labor for repair within this 5 year period are covered under this warranty. Removal of ice machine to service bin and any labor costs incurred are expressly excluded from this warranty.

## Dimensional drawing



SmartCART and PowerHinge are trademarks of Follett Corporation  
Chewblet, Follett and SmartGATE are registered trademarks of Follett Corporation, registered in the US.  
Follett reserves the right to change specifications at any time without obligation. Certifications may vary depending on country of origin

| Model     | Maximum bin capacity lb (kg) <sup>1</sup> | Cubic Volume cu ft (m) | Width - W1 in (cm) | Depth <sup>2</sup> - D1 in (cm) | Height <sup>3,4</sup> - H1 in (cm) | Height upper section - H2 in (cm) | Height lower section - H3 in (cm) | Required door access <sup>4</sup> in (cm) | Approximate ship weight lb (kg) |
|-----------|---|------------------------|--------------------|---------------------------------|------------------------------------|-----------------------------------|-----------------------------------|---|---------------------------------|
| SG1850-96 | 1870 (848)                                | 59.40 (1.68)           | 96.00 (243.8)      | 31.00 (78.7)                    | 51.00 (129.5)                      | N/A                               | N/A                               | 32.00 (81.3)                              | 450 (205)                       |
| SG2100-72 | 2110 (957)                                | 67.10 (1.90)           | 72.00 (182.9)      | 40.00 (101.6)                   | 57.00 (144.8)                      | N/A                               | N/A                               | 41.00 (104.1)                             | 486 (221)                       |
| SG2250-72 | 2250 (1021)                               | 71.50 (2.02)           | 72.00 (182.9)      | 48.00 (121.9)                   | 50.50 (128.3)                      | N/A                               | N/A                               | 46.00 (116.8)                             | 516 (235)                       |
| SG2650-72 | 2650 (1202)                               | 84.00 (2.38)           | 72.00 (182.9)      | 40.00 (101.6)                   | 66.50 (168.9)                      | N/A                               | N/A                               | 41.00 (104.1)                             | 571 (259)                       |
| SG3200-72 | 3240 (1470)                               | 102.70 (2.90)          | 72.00 (182.9)      | 48.00 (121.9)                   | 69.50 (176.5)                      | 31.50 (80.0)                      | 33.00 (83.8)                      | 35.00 (88.9)                              | 762 (346)                       |
| SG3900-72 | 3940 (1787)                               | 125.10 (3.54)          | 72.00 (182.9)      | 48.00 (121.9)                   | 81.50 (207.0)                      | 43.00 (109.2)                     | 33.00 (83.8)                      | 44.00 (111.8)                             | 835 (379)                       |
| SG4600-72 | 4640 (2105)                               | 147.40 (4.17)          | 72.00 (182.9)      | 48.00 (121.9)                   | 93.00 (236.2)                      | 43.00 (109.2)                     | 44.50 (113.0)                     | 47.00 (119.4)                             | 901 (409)                       |

### Notes:

- Computed on cubic volume of bin. Does not reflect cart capacity or voids that can occur due to pyramiding.
- Add 8.00" (20.32 cm) to depth (D) for door assemblies (easily removed for installation access).
- Special top required for ice machines weighing more than 1000 lb (454 kg). Add 2.12" (5.38 cm) to height. Contact factory.
- Required clearance for installation access through doors (may require removal of door assembly).
- Follett recommends installation of a floor drain with grate with all ice storage bins.

Follett Europe Polska Sp. z o.o.  
Mokry Dwór 26C 83-021 Wiślina, Poland  
+48 (58) 785-6140 | Fax: +48 (58) 785-6159  
folletteurope.com

801 Church Lane | Easton, PA 18040, USA  
1.610.252.7301 | Fax: +1.610.250.0696 | follettice.com

**FOLLETT**<sup>®</sup>  
Innovative solutions, inspired by ice

