



CD40522JF WITH CIM0325

Features

- DESIGNED TO FILL 5L WILLOW JUGS.
- Only 22" (559 mm) wide.
- Storage 55 kg.
- *Turbo Dispense* dispenses 113g of ice per second.
- *Power Clean* allows access to the bin for easy cleaning without moving the ice machine. Interlock safety switch turns off machine agitation when top-front access panel is removed.
- 102 mm foam insulation for maximum ice preservation – no more quick melting ice.
- Constructed from corrosion-resistant stainless steel and fingerprint-proof plastic.
- Great for hard water, food safety and tight spaces.
- User friendly push-to-dispense operation.
- Warranty: 3 years parts & labour

CD40522JF CUBE ICE DISPENSER

Ice Form

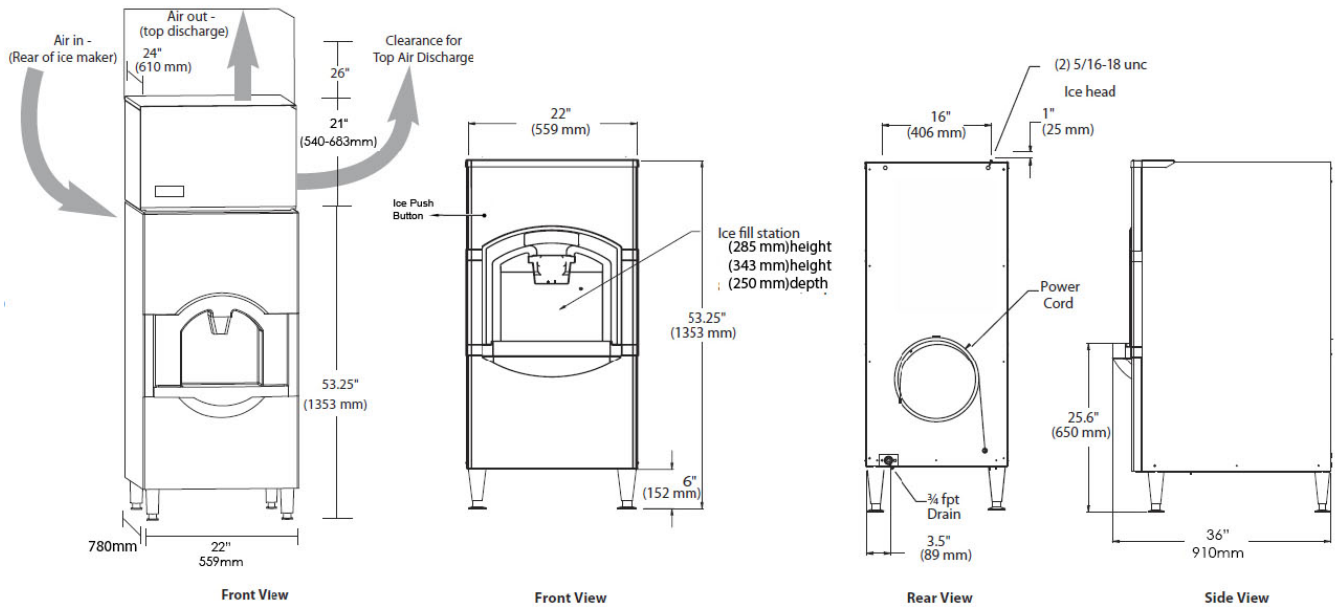
CUBE



| Full Cube Dimensions | |
|----------------------|--------------|
| W x D x H (mm) | 22 x 22 x 22 |
| Half Cube Dimensions | |
| W x D x H (mm) | 10 x 22 x 22 |

| ICE PRODUCTION FOR OPTIONAL CUBE ICE MAKERS—KG PER 24 HOURS* | | | | |
|--|--------------|--------------|--------------|--------------|
| Model Number | CIM0325 | CIM0525 | CIM0825 | CIM1125 |
| Air | 132 | 240 | 418 | 425 |
| Voltage | 220-240/50/1 | 220-240/50/1 | 220-240/50/1 | 220-240/50/1 |

*Tested at 21°C Air/10°C Water.
All specifications and performance data are subject to normal manufacturing variances.
Daily ice production based on half cube configuration.



Operating Requirements

| | MINIMUM | MAXIMUM |
|-------------------------|---------|-------------|
| | | 50Hz |
| Ambient Temp. Range Air | 10 °C | 43 °C |
| Water Temp. | 4.4 °C | 32 °C |
| Water Pressure | 1.4 BAR | 4.1 BAR |

Dimensions (dispenser only)

| ALL MODELS | |
|----------------|-------------------|
| W x D x H (mm) | 559 x 910 x 1,353 |

Specifications

| Model Number | Dispenser Operation | ARI Bin Storage lbs (kg) | Voltage Characteristics | Min. Circuit Ampacity | Max Fuse Size |
|--------------|---------------------|--------------------------|-------------------------|-----------------------|---------------|
| CD40522JF | Push | 55 | 230/50/1 | 2.1 | 15 |

Note #1: Model CD40522JF dispensers accept all 22" CIM Series™ Cube Ice Makers.
 Note #2: CD40522JF units do not require an Adaptor and Bin Level Kit.

NOTES:
 Number of Wires: 3 (including ground)
 Approx. Shipping Weight lbs (kg): 106
 Refrigerant Type: R404A
 *Cordset included