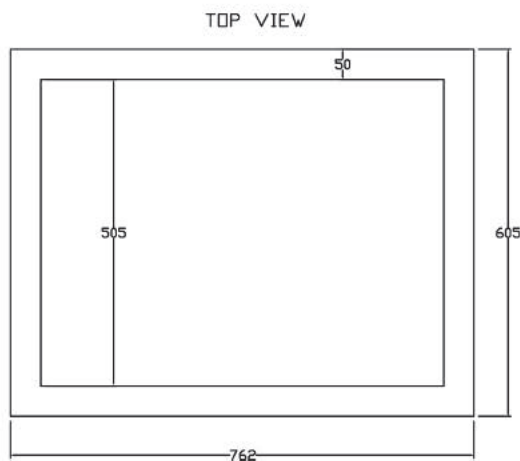
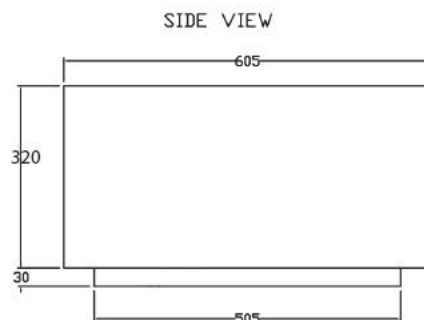
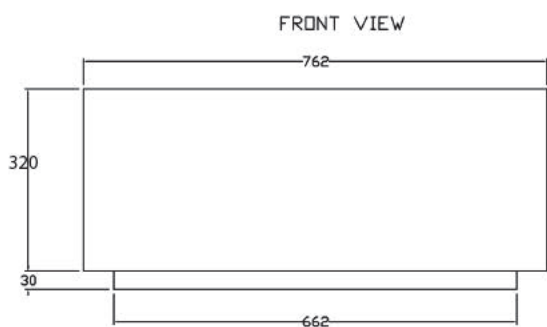




## Features

- Increases storage capacity of the CD40530 up to 125kg.
- Compatible with CD40530, CD40530JF & CD40530JFW.
- Can be used with CIM0435, CIM0635 & CIM1135 without a bin adaptor.
- Currently not compatible with narrow profile machines (BT55 is not compatible).

CD40530 with Extension



CD40530 EXTENSION

Coast reserves the right to change the specifications at any time without obligation. Certifications may vary depending on country of origin.