

Ice Pro™ DB1000 Series

automatic ice bagging and dispensing system



Features

Fast, labor saving ice dispense

- store up to 1000 lb (454 kg) of ice
- eliminates the need to shovel or scoop ice from bin
- fill up to 8 x 8 lb (3.6 kg) bags a minute
- automatic agitation cycle prevents ice from forming bridges
- foot pedal and push-button actuation automatically dispenses ice at a rate of up to 120 lb (55 kg) per minute

Fresher ice

- first ice in is first ice out

Ice compatibility

- dispenses most cube ice up to 1.00" (2.54 cm) and customer preferred Chewblet® ice into most carts and containers

Durable, user-friendly construction

- bag stand adjusts to fit up to 20 lb (9 kg) ice bags and can be used to fill containers such as Totes™ ice carrier or small ice coolers
- bag stand removes to fit carts or coolers up to 29.50" (74.9 cm) tall
- corrosion-resistant poly bin
- dispensing components are easily removed for cleaning
- removable, lockable clear window prevents unauthorized access to ice and provides full access for cleaning
- access from front and side for maintenance
- bag holder pins quickly adjust for use with wire-wicket ice bags with 5.00" (12.7 cm) to 10.00" (25.4 cm) holes on center
- semi-automatic SA model features easy-to-use controls with adjustable time dispense and blower to open bags automatically

Warranty

- 2 years parts and labor

SA models include:

- 125 x 8 lb (3.6 kg) ice bags and reorder information
- bag stand
- cleaning brush and bracket

Accessories

- 8 lb (3.6 kg) ice bags (item# 00116434)
- 20 lb (9 kg) ice bags (item# 00138370)
- Bostitch® P-7 C-ring plier for closing bags (item# 00137711)
- Staples, aluminum blunt-end C-rings for Bostitch P-7 plier (item# 00137729)
- Leg extension elevates unit 6.50" (16.51 cm) for use with taller carts and containers (supplied by others); includes adjustable bag stand to accommodate bag sizes up to 40 lb (18 kg) (item # ABLEGEXT)
- Jug and cooler filling kit (item # 00979583)
- Reinforced top and drain pan assembly for Vogt ice machines

Model configurations			
Ice storage capacity	Dispense	Voltage	Item number
1000 lb (454 kg)	bagging and filling carts or containers	220 V/60/1	DB1000SA
		230 V/50/1	EDB1000SA
	filling cart or containers	220 V/60/1	DB1000¹

¹ Not for use in bagging applications. Does not include bagging components – timed dispense, automatic bag opener, and bag holding pins.

Job

Item

Follett Europe Polska Sp. z o.o.
Mokry Dwór 26C 83-021 Wiślina, Poland
+48 (58) 785-6140 | Fax: +48 (58) 785-6159
folletteurope.com

801 Church Lane | Easton, PA 18040, USA
1.610.252.7301 | Fax: +1.610.250.0696 | follettice.com

FOLLETT®

Specification

Maximum bin capacity ¹	1000 lb (454 kg)
Cubic capacity	33.3 cu ft (0.94 cu m)
W1 Width	52.00" (132.1 cm)
W2 Width, bin top	49.12" (124.8 cm)
D1 Depth, bin top	33.75" (85.7 cm)
D2 Depth, bin with cover	45.50" (115.6 cm)
D3 Depth, bin with bag stand	46.75" (118.7 cm)
H1 Height ²	71.75" (182.2 cm) adjustable
W3 Drip tray width	16.75" (42.5 cm)
D4 Drip tray depth	10.12" (25.7 cm)
D5 Depth, bin without cover	34.00" (86.4 cm)
B1 Dispense clearance	31.00" (78.7 cm)
B2 Bag stand dispense clearance	27.38" (69.5 cm)
Installation clearance	34.25" (87.0 cm) wide door access
Service clearance	12.00" (30.5 cm) left side
C1 Electrical	15 amps. 7' (2.1 m) cord with NEMA 6-15 plug.
C2 Electrical	5 amps, max. fuse 15 amps. Cord only. Wire in accordance with all local codes.
L1 Drain ³	1.00" FPT
Dispense rate	up to 120 lb (55 kg) per minute
Ice compatibility	non-flake up to 1.00" (2.54 cm) square
Shipping weight	704 lb (319 kg)

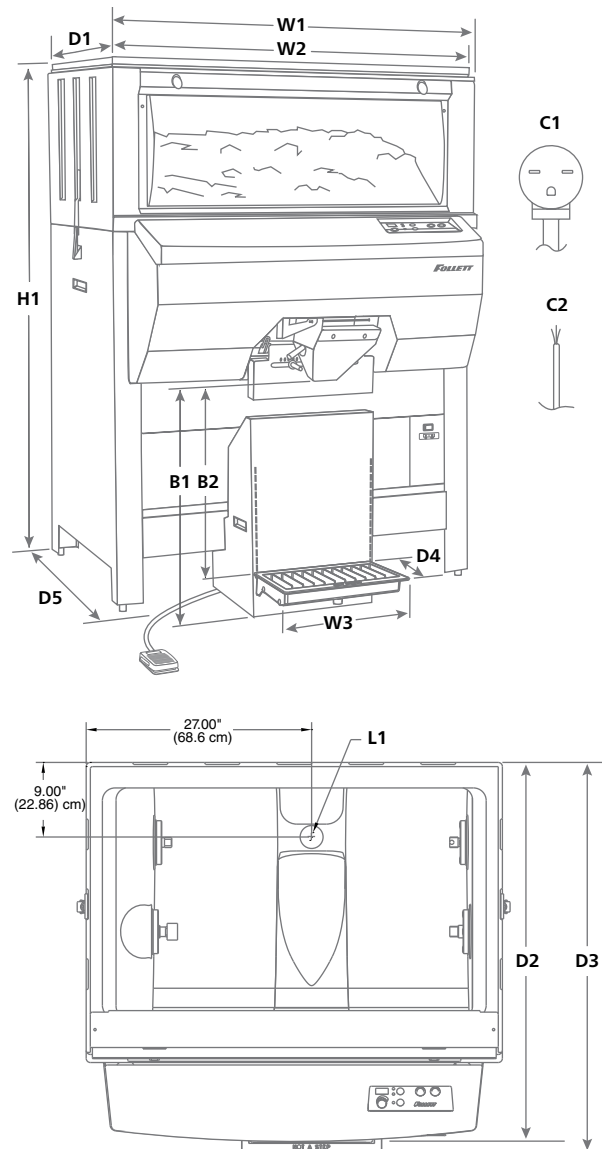
NOTES: For indoor use only

SHORT FORM SPECIFICATION (Choose one): Automatic ice storage and dispensing system to be Follett _____ 220 V/60 Hz DB1000SA or _____ 230 V/50 Hz EDB1000SA with elevated bin and base. Bin to hold up to 1000 lb (454 kg) of ice. Dispense rate to be approximately 120 lb (55 kg)/min. Two position ice discharge chute with selector lever allows filling of bags or other containers. Lockable clear inspection window shall have interlock switch to prevent operation if window is removed. Hopper to be constructed of double wall rotationally molded polyethylene insulated with non-CFC polyurethane foam. Heavy-duty agitation system includes two stainless steel agitators and motors. Dispense auger to be rotationally molded plastic, driven by 1/4 HP motor. Activation of the dispensing function shall be controlled by push-button and foot pedal. Dispenser shall be equipped with holding pins for bags, time dispense, and blower function for automatically opening bags. DB1000SA and DB1000 are NSF, UL and cUL listed. EDB1000SA is CE listed.

Notes:

- ¹ Computed on cubic volume of bin. Does not reflect voids that can occur due to pyramiding.
 - ² Special top required for ice machines weighing more than 800 lb (363 kg). Add 2.12" (5.40 cm) to height. Contact factory.
 - ³ Follett recommends installation of a floor drain with grate with all ice storage bins.
- Local food regulations vary. Please check with your local authorities for requirements for packaged ice.

Dimensional drawing



Bostitch is a registered trademark of Stanley Black and Decker.
 ICE PRO and TOTES are trademarks of Follett LLC.
 CHEWBLET and FOLLETT are registered trademarks of Follett LLC, registered in the US.
 Follett reserves the right to change specifications at any time without obligation. Certifications may vary depending on country of origin.

Ice Pro DB1000 series

2345-201907 | © Follett LLC



Follett Europe Polska Sp. z o.o.
 Mokry Dwór 26C 83-021 Wiślnia, Poland
 +48 (58) 785-6140 | Fax: +48 (58) 785-6159
 folletteurope.com

801 Church Lane | Easton, PA 18040, USA
 1.610.252.7301 | Fax: +1.610.250.0696 | follette.com

FOLLETT