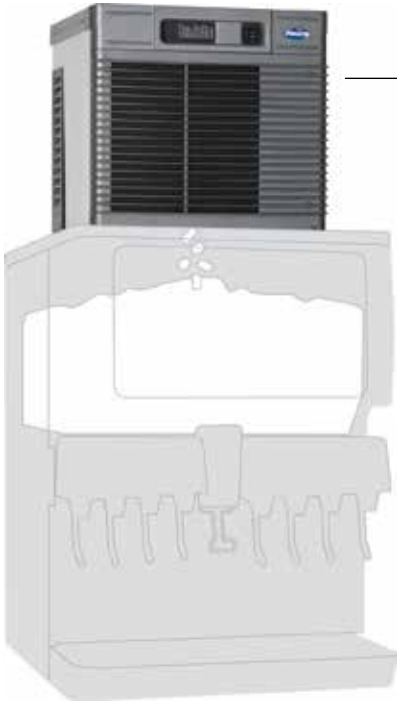


Maestro Plus™

C/E 425 series ice machine for foodservice applications



Model MCE425AHT on countertop ice and beverage dispenser, supplied by others



Features

Maestro Plus Chewblet® ice machine with up to 193 kg (425 lb) daily production of Chewblet or flake ice.

High performance Maestro Plus ice machines

- compact, reliable ice machine for top mount installation
- stainless steel evaporator, auger and top bearing
- oversized, heavy duty, tapered roller bearing ensures long low-maintenance life
- automatic self-flushing of ice machine removes impurities
- no noisy harvest cycles means quiet ice production

Lower utility bills

- energy-efficient, no costly defrost cycles
- meets 2018 Department of Energy regulations
- 40% less water than comparable capacity cube machines

Maintenance and service benefits

- cleaning and sanitizing of entire machine takes less than 1 hour
- LED control board provides at-a-glance machine status

Consumer-preferred Chewblet ice (MCC/MCE models)

- chewable, compressed nugget ice is preferred over cubes¹
- available with approximately 2.54 cm (1.00") long standard Chewblet ice or optional 0.95 cm (3/8") long Micro Chewblet™ ice
- more reliable dispensing than nugget or pellet ice
- slow melting, maintains drink temperature and quality, comparable to cubes
- higher displacement than cube ice

Flake ice (MFC/MFE models) is perfect for foodservice and grocery displays

- cradles fish and vegetables without bruising
- securely supports salad bar containers without tipping

Installation flexibility

- Top kits allow ice machine to be top mounted on most ice and beverage dispensers
- Top kits install without any alteration to dispenser (kit includes stainless steel top)
- compatible with over 20 of Follett's ice storage bins

Warranty

- 3 years parts and labor, 5 years compressor parts²

¹ Consumer study conducted by independent agency Roper ASW.

² Refer to price list for additional warranty information.

| Model configurations | | | | |
|----------------------|--|-----------|-------------------|-------------|
| Ice type | For use with ¹ | Condenser | V/Hz ² | Item number |
| Chewblet® | ice storage bin | air | 220/60 | MCC425ABT |
| | | air | 230/50 | MCE425ABT |
| | | water | 220/60 | MCC425WBT |
| | | water | 230/50 | MCE425WBT |
| | ice and beverage dispenser (by others) | air | 220/60 | MCC425AHT |
| | | air | 230/50 | MCE425AHT |
| Micro Chewblet | ice storage bin | air | 220/60 | MMC425ABT |
| | | air | 230/50 | MME425ABT |
| | | water | 220/60 | MMC425WBT |
| | | water | 230/50 | MME425WBT |
| Flake | ice storage bin | air | 220/60 | MFC425ABT |
| | | air | 230/50 | MFE425ABT |
| | | water | 220/60 | MFC425WBT |
| | | water | 230/50 | MFE425WBT |

¹ Ordered separately.

² Alternate voltage not for use in the United States.

Follett Europe Polska Sp. z o.o.
Mokry Dwór 26C 83-021 Wiślina, Poland
+48 (58) 785-6140 | Fax: +48 (58) 785-6159
folletteurope.com

801 Church Lane | Easton, PA 18040, USA
1.610.252.7301 | Fax: +1.610.250.0696 | follettice.com

FOLLETT®

Accessories

Water filters (refer to form# 9905)

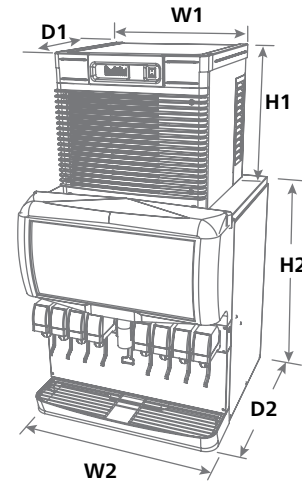
Additional Maestro Plus accessories (refer to price list)

Specification for ice and beverage dispenser top mount ice machines

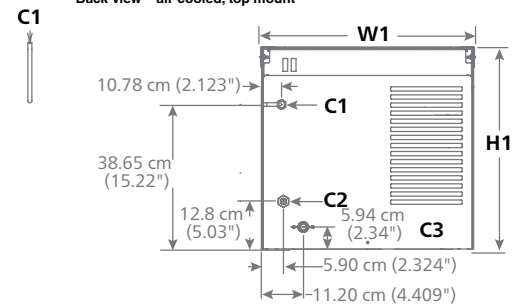
| | |
|--|---|
| W1 Width | 57.7 cm (22.70") fits on 22.00" wide dispensers |
| D1 Depth | 61.6 cm (24.25") |
| H1 Height | 54.0 cm (21.25") |
| Service clearance | 30.5 cm (12.00") top - no front obstructions 15.24 cm (6.00") on exhaust side (left, right and rear) |
| C1 220 V/60/1 ("C" models) / 230 V/50/1 ("E" models) electrical | 5.5 amps, 0.8 kW 2.4 m (8') cord only |
| C2 Water inlet | 3/8" FPT, installation of an in line water filtration system is recommended |
| C3 Drain | 3/4" MPT water-cooled models require separate condenser drains |
| Water-cooled ice machine connections | C4 – 3/8" FPT condenser inlet, C5 – 3/8" FPT condenser drain |
| Refrigerant | R404a for 60 Hz air-cooled models and all water-cooled models R449a for 50 Hz air-cooled models |
| Air temperature | 10 - 38 C (50 - 100 F) |
| Water temperature | 7 - 32 C (45 - 90 F) |
| Potable water pressure | 69 - 483 kPa (10 - 70 psi) |
| Condenser water pressure | 69 - 861 kPa (10 - 125 psi) |
| Ice production at 21 C (70 F) air, 10 C (50 F) water | 60 Hz air-cooled models – 193 kg (425 lb) 50 Hz air-cooled models – 166 kg (365 lb) all water-cooled models – 201 kg (442 lb) |
| Ice production at 32 C (90 F) air, 21 C (70 F) water | 60 Hz air-cooled models – 150 kg (330 lb) 50 Hz air-cooled models – 132 kg (290 lbs) all water-cooled models – 167 kg (368 lb) |
| Energy consumption 32 C (90 F) air, 21 C (70 F) water | air-cooled models – 5.4 kWh water-cooled models – 5.0 kWh per 45.4 kg (100 lb) ice |
| Heat rejection | air-cooled models – 5,000 BTU/hr, water-cooled models – 1400 BTU/hr to air, 3600 BTU/hr to water |
| Water consumption | 45.4 L (12.0 gal) of potable water per 45.4 kg (100 lb) of ice (per AHRI test standards). 47.3 L (12.5 gal) at standard flush setting. |
| Water flow requirement for water-cooled condensers | 0.25 gpm at 10 C (50 F) 0.5 gpm at 21 C (70 F) 1.25 gpm at 32 C (90 F) |
| Approximate ship weight | 73 kg (160 lb) |
| NOTE: For indoor use only | |

SHORT FORM SPECIFICATION: Ice machine to be Follett model number _____.
Ice machine to be _____air- or _____water-cooled. Ice machine to produce
chewable nugget ice. Ice machine to have stainless steel evaporator, auger and top
bearings, heavy-duty tapered roller bearing, and low-water safety circuit. 230 V
models CE and EU food contact compliant.

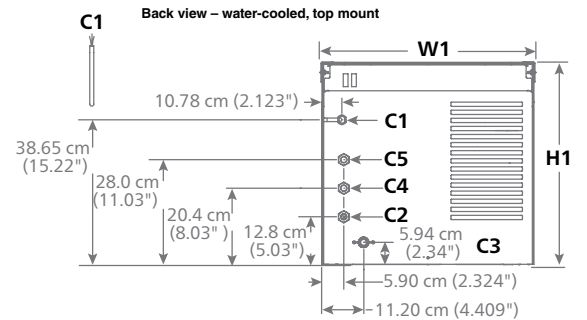
Dimensional drawing



Back view – air-cooled, top mount



Back view – water-cooled, top mount



| Manufacturer/ Model number | W2 = Width cm (in) | D2 = Depth cm (in) | H2 ¹ = Height cm (in) | Top kit |
|-------------------------------|-----------------------|-----------------------|-------------------------------------|----------|
| Coca-Cola dispensers | | | | |
| Freestyle 7000 ^{2,3} | 76.5 (30.10) | 84.1 (33.11) | 119.4 (47.00) | MTF30SCP |
| Freestyle 7100 ^{2,4} | 76.2 (30.00) | 88.8 (33.80) | 119.4 (47.00) | MTF30SCP |
| Freestyle 9000 ² | 64.8 (25.50) | 90.2 (35.50) | 187.3 (73.75) | MTF24SCP |
| Freestyle 9100 ² | 64.8 (25.50) | 99.7 (39.25) | 196.2 (77.25) | MTF26SCP |
| Cornelius dispensers | | | | |
| DB/DF/ED150 series | 55.9 (22.00) | 76.2 (30.0) | 87.3 (34.38) | MTC22SCP |
| DB/DF/ED175 series | 62.2 (24.50) | 76.2 (30.0) | 87.3 (34.38) | MTC24SCP |
| DB/DF/ED200 series | 76.2 (30.00) | 76.2 (30.0) | 87.3 (34.38) | MTC30SCP |
| DB/DF/ED250 series | 76.2 (30.00) | 76.2 (30.0) | 97.5 (38.38) | MTC30SCP |
| Lancer dispensers | | | | |
| 4500-22N, FS-22N | 55.9 (22.00) | 77.5 (30.50) | 92.7 (36.50) | MTL22SCP |
| 4500-30N | 76.2 (30.00) | 77.5 (30.50) | 92.7 (36.50) | MTL30SCP |
| FS-30N | 76.2 (30.00) | 77.5 (30.50) | 107.0 (42.13) | MTL30SCP |
| Lancer Sensation | 76.2 (30.00) | 78.7 (31.00) | 97.2 (38.25) | MTL30SCP |
| Lancer Touchpoint | 82.6 (32.50) | 85.6 (33.70) | 101.6 (40.00) | MTL30SCP |
| Pepsi dispensers | | | | |
| Spire 3.0 | 68.6 (27.00) | 88.9 (35.00) | 96.8 (38.12) | MTP24SCP |
| Spire 5.0 / 4.1 | 77.5 (30.50) | 91.4 (36.00) | 108.6 (42.75) | MTP30SCP |

¹ Net height after installation of top kit.

² Consult with Coca-Cola and Follett to qualify application prior to ordering.

³ Top adapter IC Code 46412 and ice kit IC Code 46430 must also be ordered from Coca-Cola.

⁴ Top adapter IC Code 46753 and ice kit IC Code 46430 must also be ordered from Coca-Cola.

Specification for bin top mount ice machines

| | |
|--|---|
| W1 Width | 57.6 cm (22.70") fits on 22.00" wide dispensers or bins |
| D1 Depth, ice machine | 61.6 cm (24.25") |
| D2 Depth, bin door | 80.0 cm (31.50") |
| H1 Height | 54.0 cm (21.25") |
| Service clearance | 30.5 cm (12.00") top - no front obstructions 15.24 cm (6.00") on exhaust side (left, right and rear) |
| C1 220 V/60/1 ("C" models) / 230 V/50/1 ("E" models) electrical | 5.5 amps, 0.8 kW 2.4 m (8') cord only |
| C2 Water inlet | 3/8" FPT, installation of an in line water filtration system is recommended |
| C3 Drain ¹ | 3/4" MPT water-cooled models require separate condenser drains |
| Water-cooled ice machine connections | C4 – 3/8" FPT condenser inlet, C5 – 3/8" FPT condenser drain |
| Refrigerant | R404a for 60 Hz air-cooled models and all water-cooled models R449a for 50 Hz air-cooled models |
| Air temperature | 10 - 38 C (50 - 100 F) |
| Water temperature | 7 - 32 C (45 - 90 F) |
| Potable water pressure | 69 - 483 kPa (10 - 70 psi) |
| Condenser water pressure | 69 - 861 kPa (10 - 125 psi) |
| Chewblet ice production at 21 C (70 F) air, 10 C (50 F) water | 60 Hz air-cooled models – 193 kg (425 lb) 50 Hz air-cooled models – 166 kg (365 lb) all water-cooled models – 201 kg (442 lb) |
| Chewblet ice production at 32 C (90 F) air, 21 C (70 F) water | 60 Hz air-cooled models – 150 kg (330 lb) 50 Hz air-cooled models – 132 kg (290 lbs) all water-cooled models – 167 kg (368 lb) |
| Flake ice production at 32 C (90 F) air, 21 C (70 F) water | 60 Hz air-cooled models – 225 kg (495 lb) 50 Hz air-cooled models – 193 kg (425 lb) all water-cooled models – 234 kg (515 lb) |
| Chewblet energy consumption 32 C (90 F) air; 21 C (70 F) water | air-cooled models – 5.4 kWh water-cooled models – 5.0 kWh per 45.4 kg (100 lb) ice |
| Flake energy consumption 32 C (90 F) air; 21 C (70 F) water | water-cooled models – 6.2 kWh per 100 lb (45 kg) ice |
| Heat rejection | air-cooled models – 5,000 BTU/hr, water-cooled models – 1400 BTU/hr to air, 3600 BTU/hr to water |
| Water consumption | 45.4 L (12.0 gal) of potable water per 45.4 kg (100 lb) of ice (per AHRI test standards). 47.3 L (12.5 gal) at standard flush setting. |
| Water flow requirement for water-cooled condensers | 0.25 gpm at 10 C (50 F) 0.5 gpm at 21 C (70 F) 1.25 gpm at 32 C (90 F) |
| Approximate ship weight | 73 kg (160 lb) |

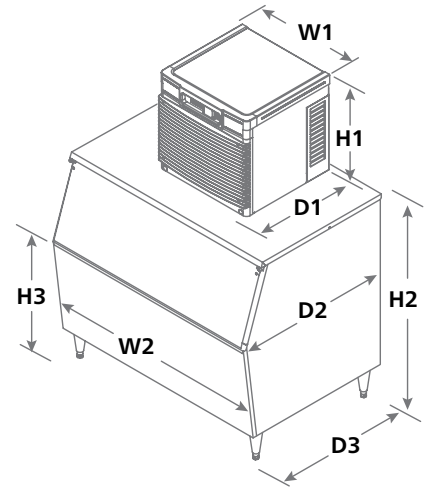
NOTES:

For indoor use only.

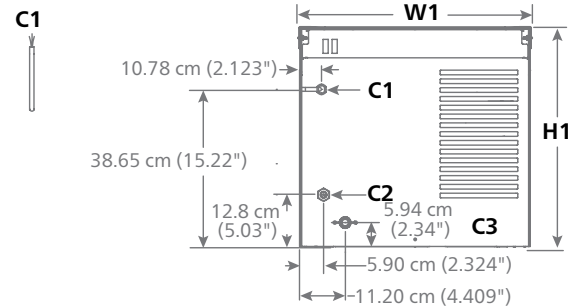
Configure with a Follett bin. Refer to the price list, form# 4025.

SHORT FORM SPECIFICATION: Ice machine to be Follett model number _____. Ice machine to be _____air- or _____water-cooled. Ice machine to produce Chewable nugget ice. Ice machine to have stainless steel evaporator, auger and top bearings, heavy-duty tapered roller bearings, and low water safety circuit. NSF listed. 230 V models CE and EU food contact compliant.

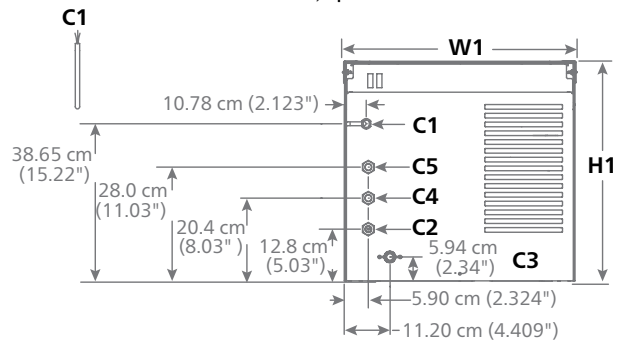
Dimensional drawing



Back view – air-cooled, top mount



Back view – water-cooled, top mount



Chewblet ice production – 60 Hz air-cooled models

| Inlet water temperature C (F) | Ambient air temperature C (F) | | | | | kg (lb) production in 24 hr |
|-------------------------------|-------------------------------|-----------|-----------|-----------|-----------|-----------------------------|
| | 16 (60) | 21 (70) | 27 (80) | 32 (90) | 38 (100) | |
| 10 (50) | 206 (454) | 193 (425) | 181 (398) | 165 (363) | 149 (328) | |
| 16 (60) | 198 (437) | 185 (408) | 172 (379) | 157 (346) | 143 (314) | |
| 21 (70) | 191 (420) | 177 (390) | 163 (359) | 150 (330) | 136 (300) | |
| 27 (80) | 182 (401) | 170 (374) | 158 (348) | 145 (319) | 132 (290) | |
| 32 (90) | 173 (381) | 163 (359) | 153 (337) | 140 (308) | 127 (280) | |

Chewblet ice production – All water-cooled models

| Inlet water temperature C (F) | Condenser water temperature C (F) | | | | | kg (lb) production in 24 hr |
|-------------------------------|-----------------------------------|-----------|-----------|-----------|-----------|-----------------------------|
| | 16 (60) | 21 (70) | 27 (80) | 32 (90) | 38 (100) | |
| 10 (50) | 206 (454) | 201 (442) | 196 (431) | 190 (419) | 185 (408) | |
| 16 (60) | 197 (435) | 191 (421) | 185 (407) | 179 (394) | 173 (380) | |
| 21 (70) | 189 (416) | 182 (400) | 174 (384) | 167 (368) | 159 (351) | |
| 27 (80) | 180 (396) | 173 (381) | 166 (365) | 159 (350) | 152 (335) | |
| 32 (90) | 170 (375) | 164 (361) | 157 (346) | 151 (332) | 144 (318) | |

MAESTRO PLUS and MICRO CHEWBLET are trademarks of Follett LLC.

CHEWBLET and FOLLETT are registered trademarks of Follett LLC, registered in the US.

Follett reserves the right to change specifications at any time without obligation. Certifications may vary depending on country of origin.

Maestro Plus C/E425 top mount foodservice

6955-202007 | © Follett LLC



Follett Europe Polska Sp. z o.o.
Mokry Dwór 26C 83-021 Wiślina, Poland
+48 (58) 785-6140 | Fax: +48 (58) 785-6159
folletteurope.com

801 Church Lane | Easton, PA 18040, USA
1.610.252.7301 | Fax: +1.610.250.0696 | follettice.com

FOLLETT®