



MFI1255 - FLAKE ICE MAKER



MFI1255 ON CIB230

Features

- Only 21" (533 mm) wide.
- Produces up to 572 kg of ice per day.
- *SystemSafe* load monitoring system constantly checks workload on gearbox - shutting down system before a problem develops and preventing costly repairs.
- Water sensor eliminates low or no water failures and cannot be affected by adverse water conditions.
- Rugged stainless steel evaporator and auger ensures reliability.
- Industrial-grade roller bearings and heavy-duty gearbox provide years of trouble-free service.
- Made in U.S.A

Options & Accessories

| WATER FILTERS | | |
|-------------------|----------|-------------|
| Ice Machine Model | Manifold | |
| | System | Replacement |
| MFI1255 | CD20B | CD200B |

Ice Maker Warranty

Every Ice-O-Matic ice maker is backed by a warranty that provides both parts and labor coverage.

- Three years **Parts** and **Labor**.
- Five years **Parts** coverage on the compressor.

Ice Form



FLAKED ICE

Bin Chart *Kits for Combining Wider Bins with Smaller Models*

| ICE STORAGE BINS | | | | | | | |
|------------------|-------------------------|-------------------------|-------------------------|-------------------------|----------------------------|---------------------------|-----------------------------|
| Model No. | B25 110 kg 762 mm | B40 156 kg 762 mm | B42 160 kg 559 mm | B55 232 kg 762 mm | CIB230 232 kg 770 mm | B100 388 kg 1219 mm | CIB400 400 kg 1220 mm |
| MFI1255 | Bin Adaptor Required | | | | | | |



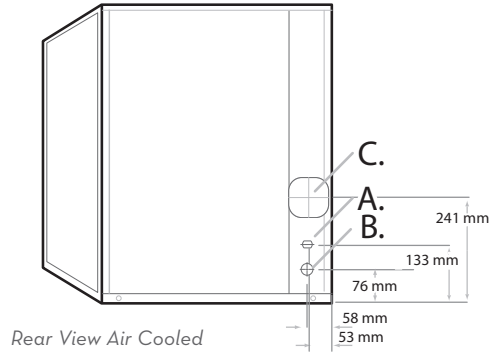
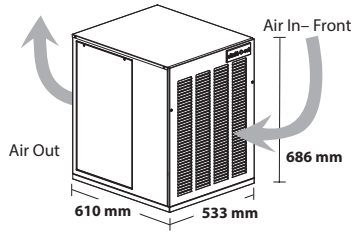


MF11255 FLAKE ICE MAKER

Air Cooled

Please note: air-cooled units require 152 mm clearance for air intake and exhaust.

- A. Ice maker potable water in, 3/8" FPT.
- B. Drain, 3/4" FPT.
- C. Hole for electrical connection.



Operating Requirements

| | MINIMUM | MAXIMUM |
|-------------------------|---------|-------------|
| | | 50Hz |
| Ambient Temp. Range Air | 10°C | 43°C |
| Water Temp. | 4.4°C | 32°C |
| Water Pressure | 1.4 BAR | 8.3 BAR |

Dimensions

| ALL MODELS | |
|----------------|-----------------|
| W x D x H (mm) | 533 x 610 x 686 |

Specifications

| Model Number | Cond. Unit | Ice Production per 24hrs | | Water Usage Litres per 45 kg of ice @ 32°C air / 21°C water | kWH Used Per 45 kg of ice @ 32°C air / 21°C water | Watts Used Per Hr @ 32°C air / 21°C water | Voltage Characteristics | Min. Circuit Ampacity | Fuse Size | Approx. BTUs per hour |
|--------------|------------|--------------------------|--------------------------|--|--|--|-------------------------|-----------------------|-----------|-----------------------|
| | | 21°C air / 10°C water kg | 32°C air / 21°C water kg | | | | | | | |
| MF11255 | Air | 572 | 408 | 45 | 3.25 | 1220 | 220-240/50/1 | 13.4 | 20 | 9,000 |

NOTES:

Number of Wires: 3 (including ground)
 Approx. Shipping Weight kg: MF11255A 98
 Refrigerant Type: R452A