



# UCGo85APD GOURMET SERIES UNDERCOUNTER WITH PUMP OUT DRAIN

**COAST** ICE & COLD SOLUTIONS



UCGo85APD

## Features

- Produces clear, long-lasting gourmet cubes.
- Space-saving 463 mm wide under-counter design.
- Produces up to 38.5 kg of ice per day.
- Optional leg kit available.
- Constructed from sturdy, corrosion-resistant stainless steel and fingerprint-proof plastic.
- Ideal for any under-counter or bar application.
- Contemporary, elegant design.
- Environmentally friendly R134A refrigerant.
- Easily adjust the thickness of your ice from the front of the machine!

## Space-Saving Solutions

- Front air discharge design for compact spaces.
- Low profile top saves counter space.
- Stores up to 15 kg of ice.
- Easy front access to ice.
- Removable Air Filter.

## Options & Accessories

WATER FILTERS		
Ice Machine Model	Manifold	
	System	Replacement
UCGo85APD	CD1oB	CD1o0B

## Ice Maker Warranty

Every Ice-O-Matic ice maker is backed by a warranty that provides both parts and labor coverage.

- Two years Parts and Labour

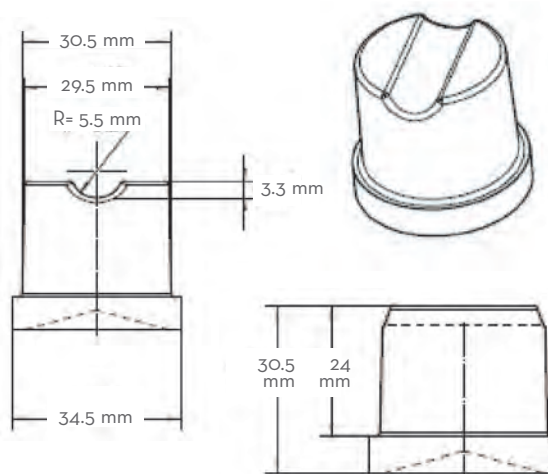
## Ice Form



### GOURMET ICE

#### GOURMET ICE DIMENSIONS

Height	30.5 mm
Diameter	34.25 mm

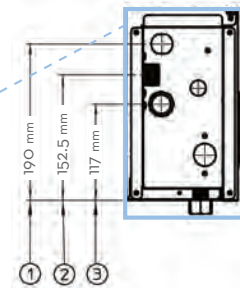
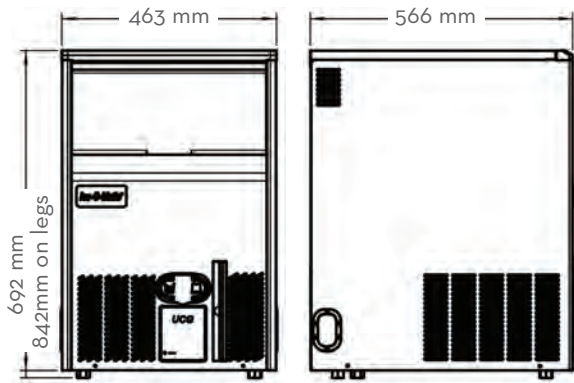


UCGo85APD GOURMET SERIES UNDERCOUNTER WITH PUMP OUT DRAIN



# UCGO85APD GOURMET SERIES UNDERCOUNTER WITH PUMP OUT DRAIN

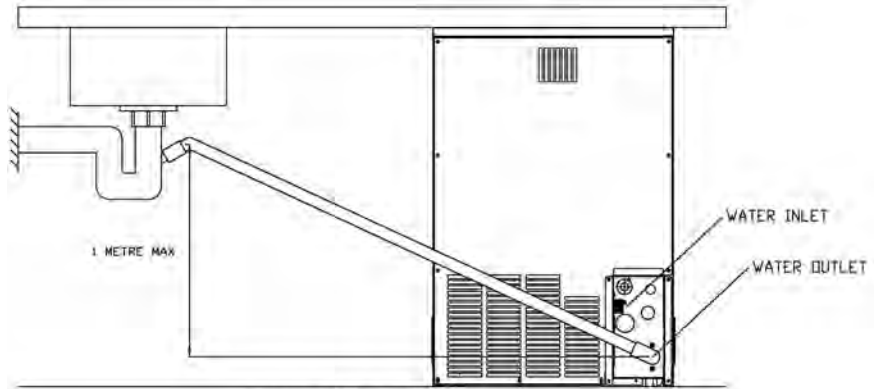
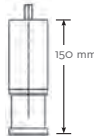
UCGO85APD GOURMET SERIES UNDERCOUNTER WITH PUMP OUT DRAIN



- 1 - Power Cord
- 2 - 19 mm Water Inlet
- 3 - 20 mm Water Drain



**LEGS INCLUDED**  
150 mm high



4 METRE MAXIMUM DRAIN RUN  
2 METRES OF DRAIN HOSE SUPPLIED

## Operating Requirements

	MINIMUM	MAXIMUM
	<b>50 Hz</b>	
Ambient Temp. Range Air	10 °C	43 °C
Water Temp.	5 °C	38 °C
Water Pressure	1 BAR	5 BAR
Electrical Voltage	230V/50Hz/1ph	

## Dimensions

ALL MODELS	
W x D x H (mm)	463 x 566 x 842 on legs

## Specifications

Model Number	Cond. Unit	Ice Production per 24hrs	Ice Production per 24hrs	Ice Production per 24hrs	Storage Capacity (kg)	Water Consumption (ltr/hr)	kWH Used per 45 kg of Ice @ 32°C air/21°C water	Voltage Characteristics
		21°C air/10°C water (kg)	32°C air/21°C water (kg)	10°C air/10°C water (kg)				
UCGO85APD	Air	38.5	31	40	15	5	9.7	230/50/1

**NOTES:**

Approx. Shipping Weight (kg): UCGO85APD (37)  
Refrigerant Type: R134A

All specifications and performance data are subject to normal manufacturing variances.

Ice-O-Matic reserves the right to change the specifications at any time without obligation. Certifications may vary depending on country of origin.